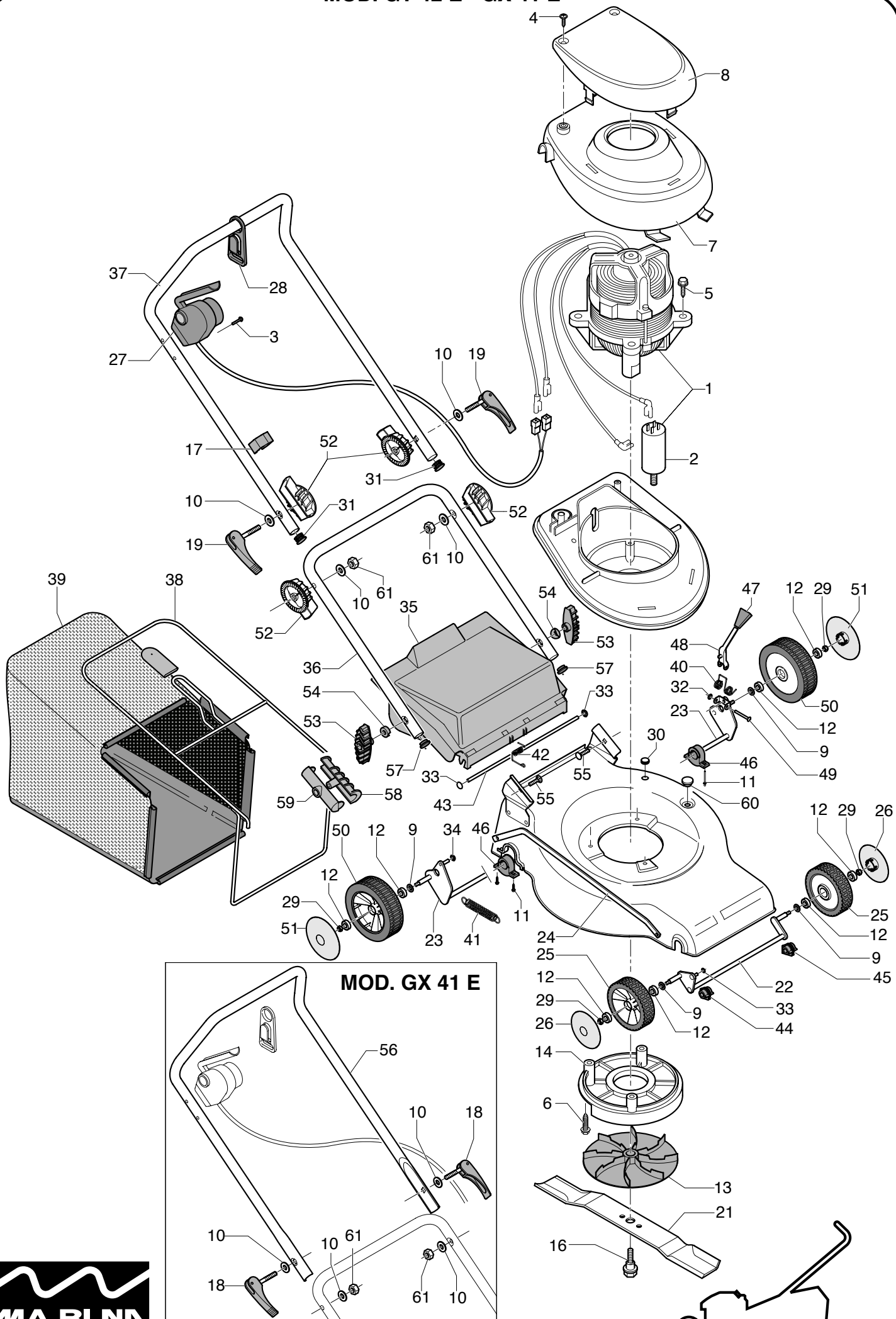


MOD. GT 42 E - GX 41 E



RICAMBI ORIGINALI

• MOD. GT 42 E - GX 41 E

POS.	CODICE	I	F	D	GB	E	GT 42 E	GX 41 E
1	CP017130F	Motore el. 1300 W	Moteur	Motor	Engine	Motor	1	1
2	CP019816	Condensatore 16 mf	Condensateur	Kondensator	Condenser	Condensador	1	1
3	CP023925	Vite autof.	Vis	Schraube	Screw	Tornillo	2	2
4	CP025025	Vite autof.	Vis	Schraube	Screw	Tornillo	2	2
5	CP026030	Vite autof.	Vis	Schraube	Screw	Tornillo	4	4
6	CP026322	Vite autof.	Vis	Schraube	Screw	Tornillo	7	7
7	CP032102	Cupolina inf. Bianca	Calotte	Verkleidung	Cover	Carcasa	1	1
8	CP032103	Cupolina sup. Verde	Calotte	Verkleidung	Cover	Carcasa	1	
8	CP032103.02	Cupolina sup. Rossa	Calotte	Verkleidung	Cover	Carcasa ral 3000		1
9	CP032814	Rondella	Rondelle	Scheibe	Washer	Arandela	4	4
10	CP032924	Rondella	Rondelle	Scheibe	Washer	Arandela	4	4
11	CP034615	Rivetto	Rivet	Niet	Rivet	Clavo	4	4
12	CP038227	Cuscinetto 12x27	Roulement	Kugellager	Ball bearing	Cojinete	8	8
13	CP040158	Ventola	Ventilateur	Laufrad	Fan	Ventilador	1	1
14	CP040174	Convogliatore	Calotte	Laufradgehäuse	Fan box	Carcasa	1	1
15	CP040175	Base motore	Porte moteur	Motorgehäuse	Motor box	Base motor	1	1
16	CP040209	Vite lama	Vis	Schraube	Screw	Tornillo	1	1
17	CP050222	Fermacavo	Attache cable	Kabelbeschwerer	Clip	Fijador cable	1	1
18	CP047222	Leva completa corta	Levier	Stange	Lever	Leva		2
19	CP047224	Leva completa lunga	Levier	Stange	Lever	Leva	2	
20	CP041001.02	Chassis rosso	Carter	Gehäuse	Deck	Chasis		1
20	CP042001	Chassis	Carter	Gehäuse	Deck	Chasis	1	
21	CP042010	Lama	Lame	Messer	Blade	Cuchilla	1	1
22	CP042048	Assale ant	Axe avant	Vorderachse	Front axle	Eje anterior	1	1
23	CP042053	Assale pos	Axe arriere	Hinterachse	Rear axle	Eje posterior	1	1
24	CP042063	Tirante assale	Barre	Gestänge	Link rod	Tirante eje	1	1
25	CP042106	Ruota 150	Roue	Rad	Wheel	Rueda		2
25	CP042108	Ruota 150	Roue	Rad	Wheel	Rueda	2	
26	CP042127	Copriruota 150	Cache moyeu	Raddeckung	Hub cap	Tapa rueda	2	2
27	CP039184	Interruttore l=1400	Interrupteur	Schalter d-i-f-a-b-	Switch	Interruptor	1	1
28	CP042222	Supporto cavo	Porte cable	Kabelhalter	Cable support	Fijador cable	1	1
29	CP042808	Dado	Écrou	Mutter	Knob	Esparrago	4	4
30	CP045713	Tappo	Couvercle	Kappe	Cap	Tapa	1	1
31	CP045720	Tappo	Couvercle	Kappe	Cap	Tapa	2	2
32	CP046606	Ritegno	Clip	Rückhalt	Retainer	Anillo clip	1	1
33	CP046607	Ritegno	Clip	Rückhalt	Retainer	Anillo clip	3	3
34	CP046608	Ritegno	Clip	Rückhalt	Retainer	Anillo clip	1	1
35	CP047018	Parasassi	Deflecteur	Deflektor	Rear door	Deflectór	1	1
36	CP047032	Manico inf.	Guidon	Stiel	Handle	Manillar	1	1
37	CP047038	Manico sup.	Guidon	Stiel	Handle	Manillar	1	
38	CP047078	Telaio cesto	Attelage	Grasfangrahmen	Frame	Amazon saco	1	1
39	CP047083	Tela cesto bianca	Sac ramasseur	Grasfangsack	Grass bag	Saco tela	1	
39	CP047083.05	Tela cesto nera	Sac ramasseur	Grasfangsack	Grass bag	Saco tela		1
40	CP047191	Molla	Ressort	Feder	Spring	Muelle	1	1
41	CP047192	Molla	Ressort	Feder	Spring	Muelle	1	1
42	CP050192	Molla parasassi	Ressort	Feder	Spring	Muelle	1	1
43	CP047203	Astina	Axe pivot	Stange	Hinge pin	Eje deflectór	1	1
44	CP047212	Supporto assale	Support	Achselager	Support	Soporte	1	1
45	CP047213	Supporto assale	Support	Achselager	Support	Soporte	1	1
46	CP047214	Supporto assale	Support	Achselager	Support	Soporte	2	2
47	CP047236	Cappuccio	Cache moyeu	Kappe	Hood	Pomo	1	1
48	CP047255	Leva alzo	Levier	Stange	Lever	Leva alturas	1	1
49	CP047267	Perno	Goujon	Zapfen	Pin	Perno	1	1
50	CP050106	Ruota 180	Roue	Rad	Wheel	Rueda		2
50	CP050108	Ruota 180	Roue	Rad	Wheel	Rueda	2	
51	CP050127	Copriruota 180	Cache moyeu	Raddeckung	Hub cap	Tapa rueda	2	2
52	CP050212	Regolatore manico	Reglage de guidon	Stielregulator	Handle regulator	Regulador manillar	4	
53	CP050228	Pomolo manico	Écrou	Griff	Knob handle	Pomo manillar	2	2
54	CP050230	Rondella	Rondelle	Scheibe	Washer	Arandela	2	2
55	CP040860	Vite ttqst	Vis	Schraube	Screw	Tornillo	2	2
56	CP042038	Manico sup.	Guidon	Stiel	Handle	Manillar		1
57	CP045722	Tappo	Couvercle	Kappe	Cap	Tapa	2	2
58	CP042212M	Isolatore 1/2 maschio	Demi isolateur	Half isolator	Half insulator	Mitad aislador	2	2
59	CP042212F	Isolatore 1/2 femmina	Demi isolateur	Half isolator	Half insulator	Mitad aislador	2	2
60	CP045721	Tappo	Couvercle	Kappe	Cap	Tapa	1	1
61	CP044708	Dado	Écrou	Mutter	Knob	Esparrago	2	2